

10 9 8 7 6 5 4 3 2 1

F

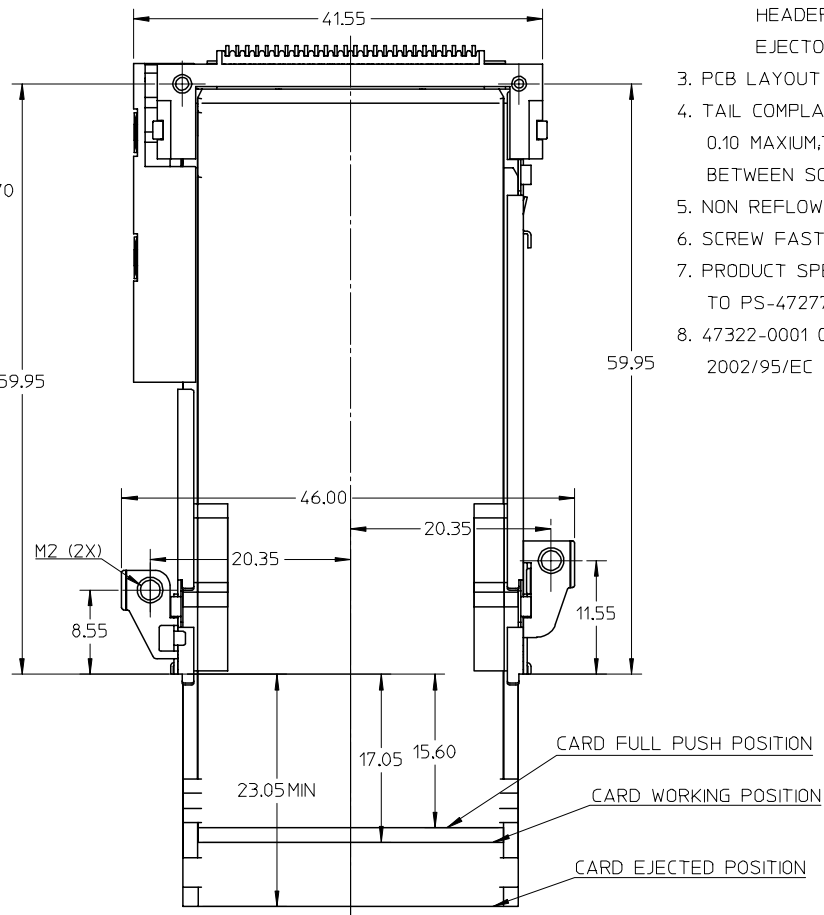
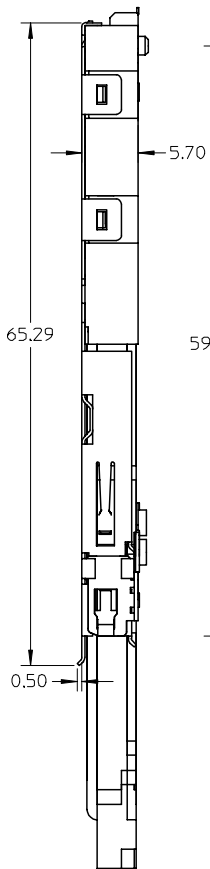
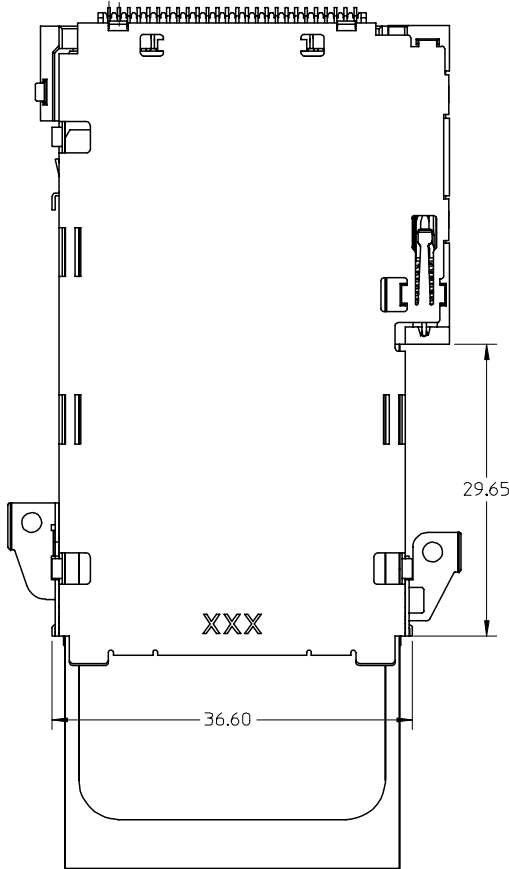
E

D

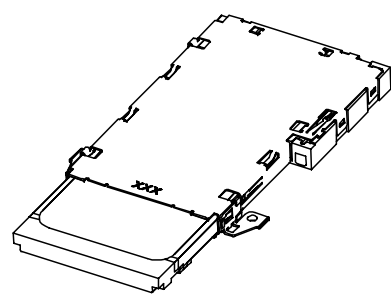
C

B

A

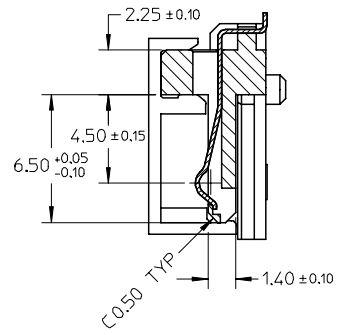
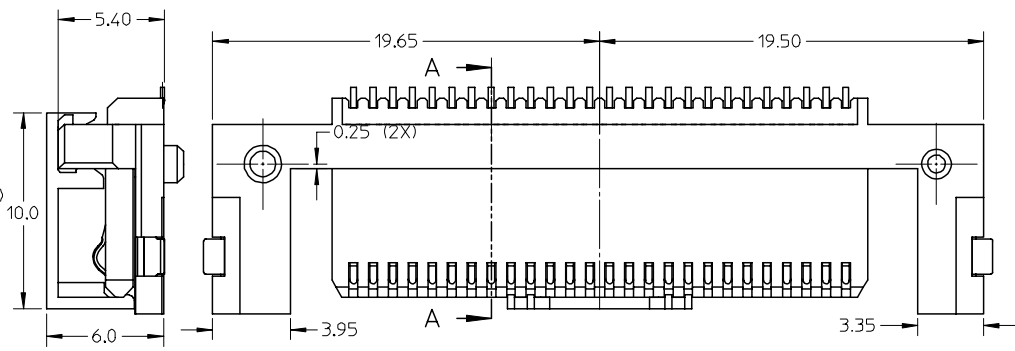
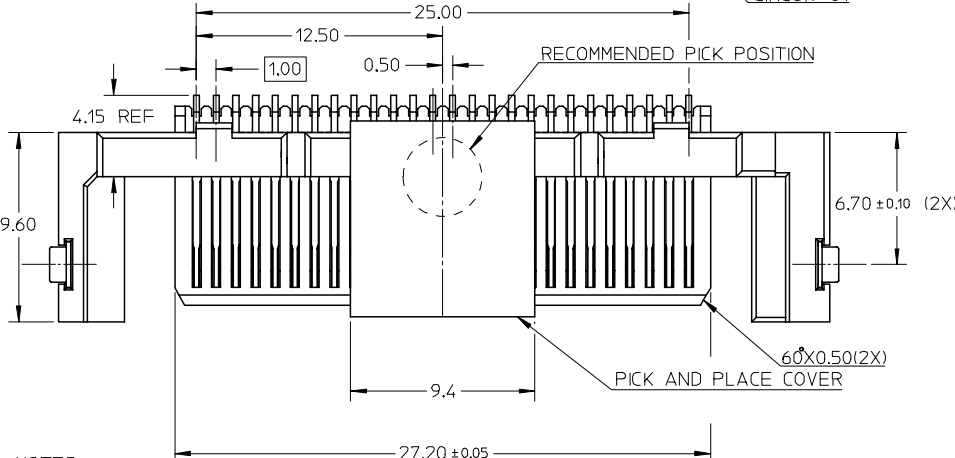
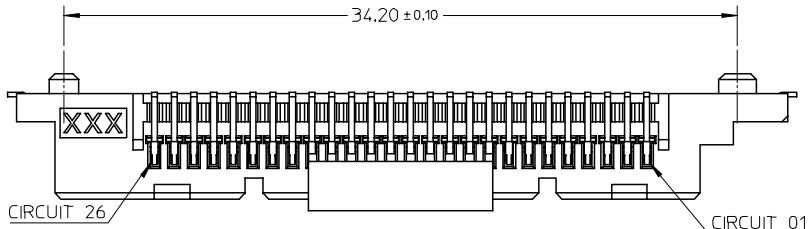


- NOTES:
- CONNECTOR DESIGN BASED ON EXPRESSCARD STANDARD;
  - COMPONENTS:  
 HEADER: SHEET 2  
 EJECTOR: SHEET 3
  - PCB LAYOUT PLEASE REFER TO SHEET 4,
  - TAIL COMPLANARITY OF HEADER TO BE 0.10 MAXIMUM, TRUE POSITION IS 0.15 MAXIMUM BETWEEN SOLDER TAILS;
  - NON REFLOW PROCESS FOR EJECTOR.
  - SCREW FASTENING TORQUE: 1.0 KGF-CM,
  - PRODUCT SPECIFICATION PLEASE REFER TO PS-47277-001.
  - 47322-0001 COMPLIANT TO RoHS DIRECTIVE 2002/95/EC AND ELV DIRECTIVE 2000/53/EC.



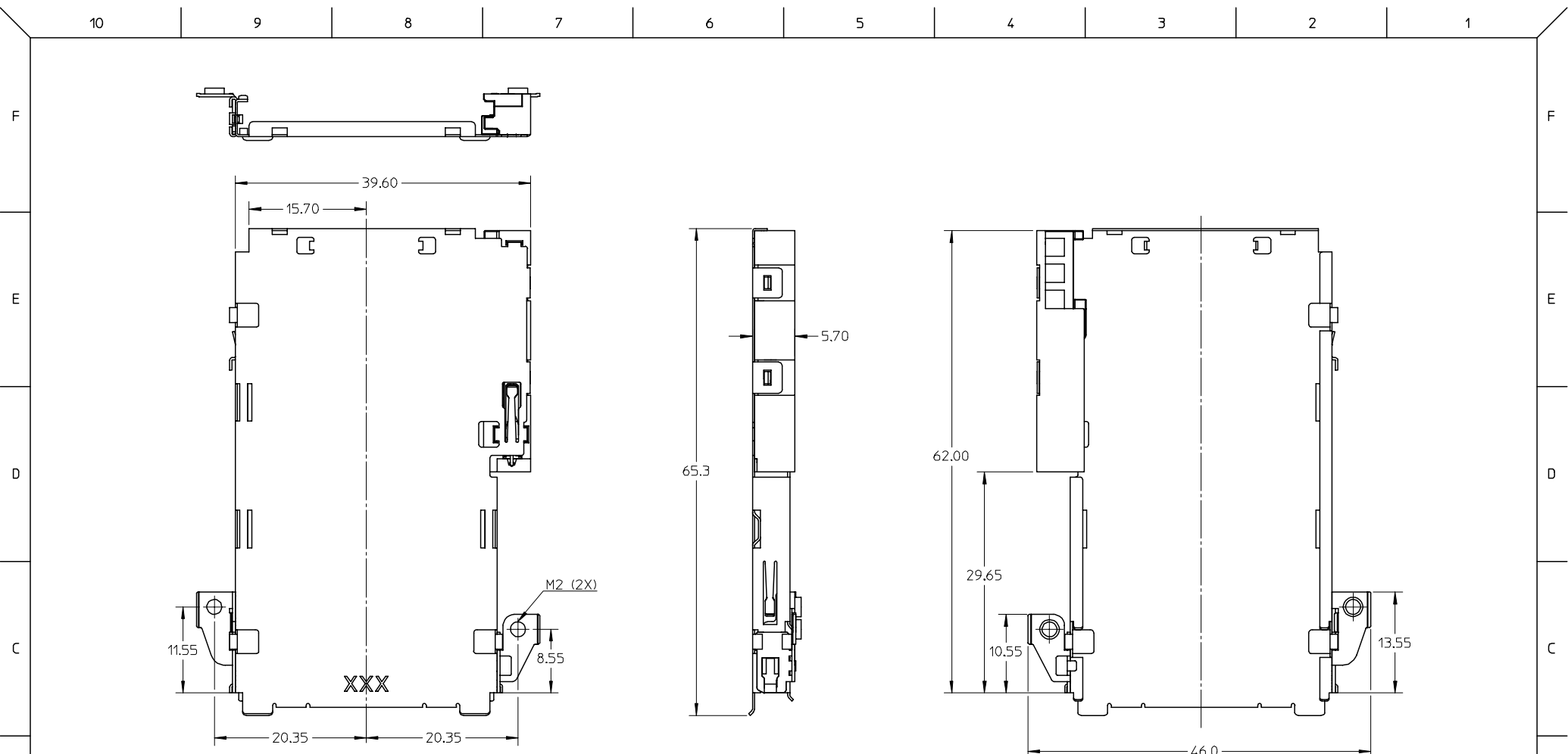
EC NO: SH2007-0352 DRWN: OCHEN 2006/11/17 CHKD: HARVEY 2006/11/22 APPR: JNCHEN 2006/11/28	QUALITY SYMBOLS ▽=0 ▽C=0	GENERAL TOLERANCES (UNLESS SPECIFIED)		DIMENSION STYLE MM ONLY		SCALE NTS	DESIGN UNITS METRIC	THIRD ANGLE PROJECTION		
		4 PLACES ± --- ± --- 3 PLACES ± --- ± --- 2 PLACES ± 0.25 ± --- 1 PLACE ± 0.30 ± --- ANGULAR ± 3 °	mm INCH	DRAWN BY R. BIAN	DATE 2005/05/20	EXPRESSCARD 34MM BOTTOM MOUNT PUSH-PUSH TYPE				
A1	REV	DRAFT WHERE APPLICABLE MUST REMAIN WITHIN DIMENSIONS		APPROVED BY JENNY	DATE 2006/04/18	MOLEX INCORPORATED		MATERIAL NO. 47322-0001	DOCUMENT NO. SD-47322-001	SHEET NO. 1 OF 4
		THIS DRAWING CONTAINS INFORMATION THAT IS PROPRIETARY TO MOLEX INCORPORATED AND SHOULD NOT BE USED WITHOUT WRITTEN PERMISSION								

9 8 7 6 5 4 3 2 1



- NOTES:
- CONNECTOR DESIGN BASED ON EXPRESSCARD STANDARD;
  - MATERIAL:
    - HOUSING: LIQUID CRYSTAL POLYMER,
    - TERMINAL: PHOSPHOR BRONZE,
    - FITTING-NAIL: PHOSPHOR BRONZE,
    - PICK AND PLACE COVER: NYLON 46,
  - FINISH:
    - TERMINAL:
      - UNDERPLATING: Ni OVERALL,
      - SELECTIVE GOLD ON CONTACT AREA,
      - THICKNESS: 15 MICRINCH MINIMUM,
      - SELECTIVE PURE TIN ON SOLDER TAIL AREA,
      - THICKNESS: 40-100 MICRINCH,
  - COPLANARITY AT SOLDER TAIL TO BE 0.10 MAXIMUM;
  - APPLICABLE CARD SLOT PLEASE REFER TO SHEET 3
  - PRODUCT SPECIFICATION PLEASE REFER TO PS-47277-001
  - 47322-0002 COMPLIANT TO RoHS DIRECTIVE 2002/95/EC AND ELV DIRECTIVE 2000/53/EC.

EC NO: SH2007-0352 DRWN: OCHEN 2006/11/17 CHKD: HARVEY 2006/11/22 APPR: JNCHEN 2006/11/28	QUALITY SYMBOLS $\nabla = 0$ $\triangle = 0$	GENERAL TOLERANCES (UNLESS SPECIFIED)		DIMENSION STYLE MM ONLY		SCALE NTS	DESIGN UNITS METRIC	THIRD ANGLE PROJECTION	
		4 PLACES $\pm$ --- $\pm$ --- 3 PLACES $\pm$ --- $\pm$ --- 2 PLACES $\pm 0.25$ $\pm$ --- 1 PLACE $\pm 0.30$ $\pm$ --- ANGULAR $\pm 3^\circ$	DRAWN BY R. BIAN DATE 2005/05/20	TITLE EXPRESSCARD 34MM BOTTOM MOUNT PUSH-PUSH TYPE		MOLEX INCORPORATED		DOCUMENT NO. SD-47322-001	
DRAFT WHERE APPLICABLE MUST REMAIN WITHIN DIMENSIONS		MATERIAL NO. 47322-0002		THIS DRAWING CONTAINS INFORMATION THAT IS PROPRIETARY TO MOLEX INCORPORATED AND SHOULD NOT BE USED WITHOUT WRITTEN PERMISSION					



NOTES:

1. CONNECTOR DESIGN BASED ON EXPRESSCARD STANDARD;
2. THIS SLOT CAN ACCEPT ONLY 34MM EXPRESSCARD;
3. WHEN DELIVERING, THE CAM SLIDER MUST KEEP RELEASE STATUS;
4. PRODUCT SPEC PLEASE REFER TO PS-47277-001;
5. MATERIAL:

COIL SPRING: PIANO STEEL  
 EJECTOR HOUSING: NYLON 46  
 HOUSING SLOT: NYLON 46  
 SHELL: STAINLESS STEEL  
 CAM PIN: STAINLESS STEEL

6. 47322-0003 COMPLIANT TO RoHS DIRECTIVE 2002/95/EC AND ELV DIRECTIVE 2000/53/EC.

EC NO: SH2007-0352 DRWN: OCHEN 2006/11/17 CHKD: HARVEY 2006/11/22 APPR: INCHEM 2006/11/28	QUALITY SYMBOLS ▽=0 ◻=0	GENERAL TOLERANCES (UNLESS SPECIFIED)		DIMENSION STYLE MM ONLY		SCALE NTS	DESIGN UNITS METRIC	THIRD ANGLE PROJECTION	
		4 PLACES ± --- ± --- 3 PLACES ± --- ± --- 2 PLACES ± 0.25 ± --- 1 PLACE ± 0.30 ± --- ANGULAR ± 3 °	mm INCH ± --- ± --- ± 0.25 ± --- ± 0.30 ± ---	DRAWN BY R. BIAN	DATE 2005/05/20	TITLE EXPRESSCARD 34MM BOTTOM MOUNT PUSH-PUSH TYPE		MOLEX INCORPORATED	
A1	REV	DRAFT WHERE APPLICABLE MUST REMAIN WITHIN DIMENSIONS		APPROVED BY JENNY	DATE 2006/04/18	MATERIAL NO. 47322-0003	DOCUMENT NO. SD-47322-001	SHEET NO. 3 OF 4	
THIS DRAWING CONTAINS INFORMATION THAT IS PROPRIETARY TO MOLEX INCORPORATED AND SHOULD NOT BE USED WITHOUT WRITTEN PERMISSION									

10 9 8 7 6 5 4 3 2 1

F

E

D

C

B

A

F

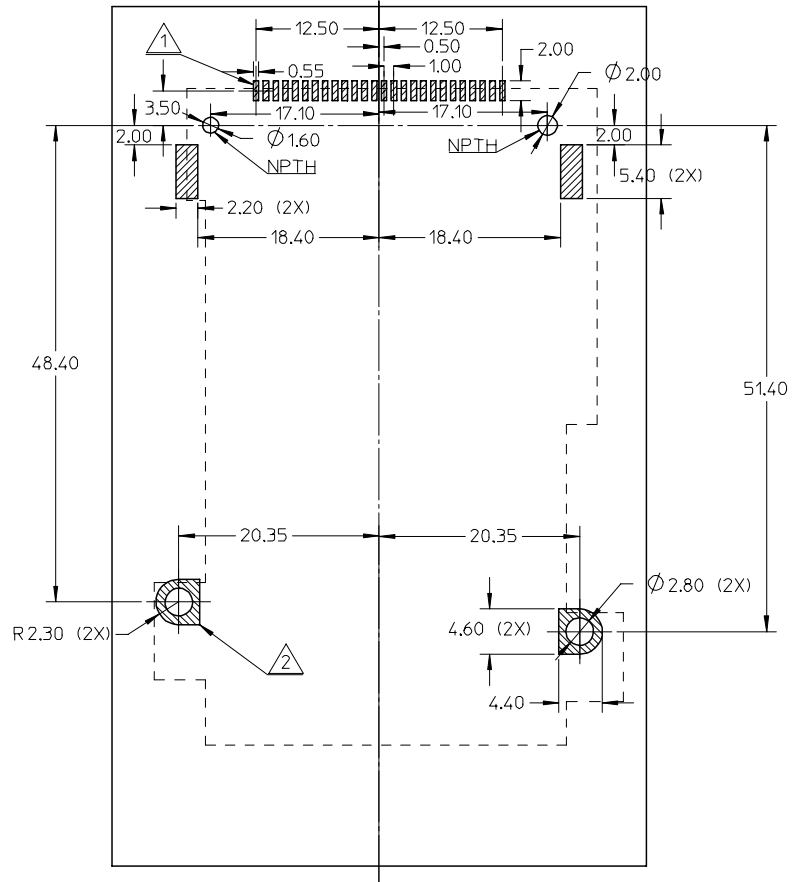
E

D

C

B

A



NOTES:

- 1. SOLDER PAD AREA
- 2. GROUNDING PAD AREA

RECOMMENDED PCB LAYOUT  
COMPONENT SIDE

EC NO: SH2007-0352 DRWN: OCHEN 2006/11/17 CHKD: HARVEY 2006/11/22 APPR: JNCHEN 2006/11/28	QUALITY SYMBOLS ▽=0 ▽C=0	GENERAL TOLERANCES (UNLESS SPECIFIED)		DIMENSION STYLE MM ONLY		SCALE NTS	DESIGN UNITS METRIC	THIRD ANGLE PROJECTION		
			mm	INCH	DRAWN BY	DATE	EXPRESSCARD 34MM BOTTOM MOUNT PUSH-PUSH TYPE			
		4 PLACES	± ---	± ---	R. BIAN	2005/05/20				
		3 PLACES	± ---	± ---	CHECKED BY	DATE	MOLEX INCORPORATED			
2 PLACES	± 0.05	± ---	HARVEY	2006/04/18						
1 PLACE	±	± ---	APPROVED BY	DATE	MATERIAL NO. N/A		DOCUMENT NO. SD-47322-001	SHEET NO. 4 OF 4		
DRAFT WHERE APPLICABLE MUST REMAIN WITHIN DIMENSIONS		SIZE A3		THIS DRAWING CONTAINS INFORMATION THAT IS PROPRIETARY TO MOLEX INCORPORATED AND SHOULD NOT BE USED WITHOUT WRITTEN PERMISSION						

9 8 7 6 5 4 3 2 1